



Marine

- + Water Pump
- + Bilge Pumps
- + Air Conditioner Pump
- + Submersible and Inline Pump
- + Float Switches
- + Switch Panels
- + Electric Field Bilge Switch
- + Washdown Pump Kit
- + Livewell/Baitwell Pumps
- + Pump Accumulator Kit

Water Pressure Systems

Accumulator Tank



SEAFLO 8L Accumulator Pressure Boost System

A fully assembled pressure set that simplifies the installation of water pressure systems for both the professional and amateur installer. The set consists of a 5 chamber diaphragm pump, strainer and pre-pressurized accumulator tank with quick connect electrical connections on a rubber mounted board. Serves 3 or more 1/2" (13mm) outlets.

Up

Contact Us

Specifications | Parameters | Manual

Product Classification

Home | About Us | News Center | Technology and Service | Quality and R & D | Contact Us

+ gear pump

+ Self-priming Bilge Pumps

+ Hand Pumps

+ Blowers

+ Battery Switches

+ Portable Toilet

+ Marine Toilet

+ Fuel Cans

+ Thru-Hulls & Deck Filler Caps

+ Hatches & Porthole

+ Door Holder

+ Accessories

+ Bottled Water System

Recommend Product

Common Problem

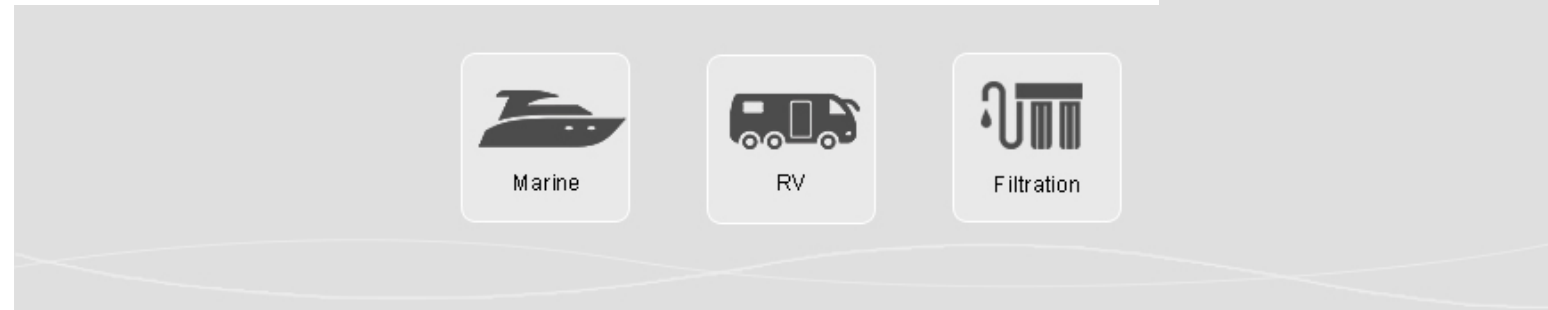
FEATURES & BENEFITS



Up

FEATURES & BENEFITS

- Smoother flow, quieter water systems.
- Longer pump life, lower battery drain.
- Self-priming up to 6 feet(1.8m).
- Five chamber diaphragms for smooth and quiet operation.
- Can be installed vertically or horizontally accumulator tank.
- Can be installed vertically or horizontally.
- Maintenance free potable water quality accumulator tank.
- Complies with USCG 183.410 and ISO 8846 MARINE(Ignition Protection).
- 16 AWG, 4.5" long leads.



TYPICAL APPLICATIONS

Marine, RV, Filtration

Type	5 Chamber positive displacement diaphragm pump, self priming, capable of being run dry
Control Type	Pressure switch
Max Recommended Temperature	60° C (140° F)
Priming Capabilities	6 feet (1.8 m) suction lift
Re-start Pressure	Shut-on Pressure 20 PSI : 20 PSI ±3 PSI Shut-off Pressure 60 PSI : 60 PSI ±3 PSI
Inlet/Outlet Ports	1/2"-14 MNPT
Weight	11.9 lbs (5.4 kg)

Up

MOTOR	
Leads	14 AWG, 13" (33 cm) long with 2-Pin connector/Leads
Duty Cycle	Continuous
Max.Amp Draw	18.9 A
Fuse	28.4 A

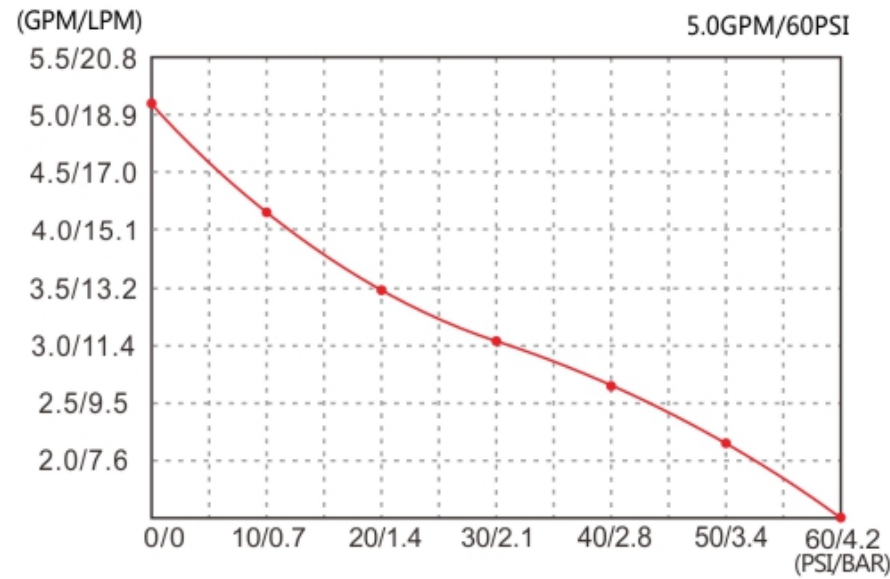
STANDARD PUMP CONFIGURATIONS

Product Classification

[Home](#) |
 [About Us](#) |
 [News Center](#) |
 [Technology and Service](#) |
 [Quality and R & D](#) |
 [Contact Us](#)

							Max Draw	Ports	Wire Connections
SFWSK1-030-060-0021	8L	12V	Switch	3.0 / 11.5	20 / 1.4	60 / 4.2	10.0A	1/2" barb	2-Pin/Leads
SFWSK2-030-060-0021	8L	24V	Switch	3.0 / 11.5	20 / 1.4	60 / 4.2	5.5A	1/2" barb	2-Pin/Leads
SFWSK1-040-060-0021	8L	12V	Switch	4.0 / 15.0	20 / 1.4	60 / 4.2	13.0A	1/2" barb	2-Pin/Leads
SFWSK2-040-060-0021	8L	24V	Switch	4.0 / 15.0	20 / 1.4	60 / 4.2	7.0A	1/2" barb	2-Pin/Leads
SFWSK1-050-060-0021	8L	12V	Switch	5.0 / 18.9	20 / 1.4	60 / 4.2	17.0A	1/2" barb	2-Pin/Leads
SFWSK2-050-060-0021	8L	24V	Switch	5.0 / 18.9	20 / 1.4	60 / 4.2	9.0A	1/2" barb	2-Pin/Leads

PERFORMANCE

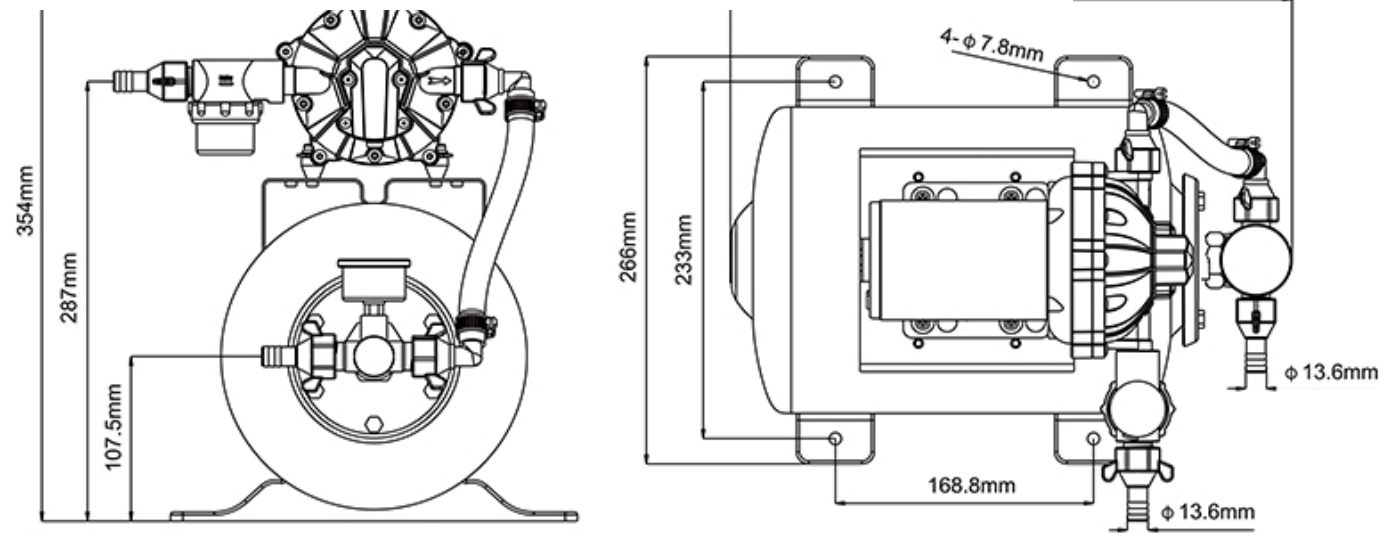


Up

DIMENSIONS

Product Classification

[Home](#) | [About Us](#) | [News Center](#) | [Technology and Service](#) | [Quality and R & D](#) | [Contact Us](#)



PRODUCT DETAILS

[Up](#)



Up

Product Classification

[Home](#) | [About Us](#) | [News Center](#) | [Technology and Service](#) | [Quality and R & D](#) | [Contact Us](#)

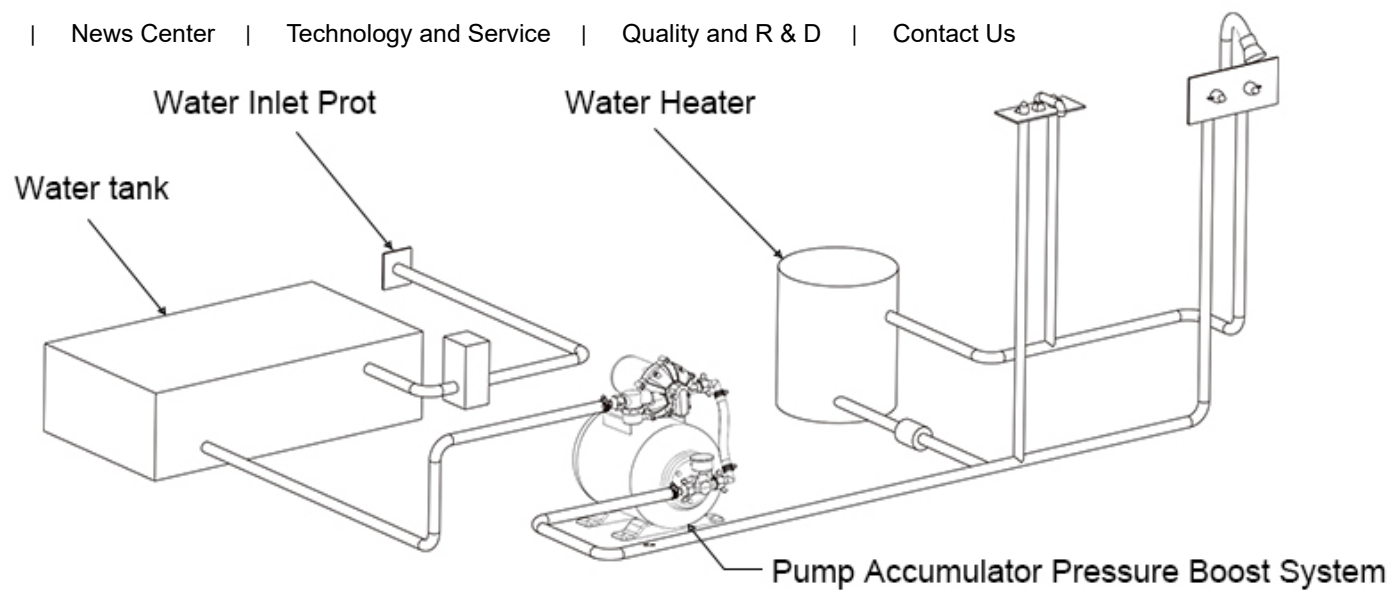
2	51F03 Elbow Fitting
3	Clamps
4	Hose
5	Seal Ring
6	51F01 Straight Fitting
7	Connector
8	Seal Ring
9	Pressure Gate
10	Accumulator Tank
11	51S01 Filter
12	Wearplate
13	Screw

Up

APPLICATION

Product Classification

Home | About Us | News Center | Technology and Service | Quality and R & D | Contact Us



SHIPPING INFORMATION

Up

	Unit Pump Weight	11.68 lbs (5.3 kg)
	Selling Unit Size (L x W x H)	16.61"x 11.30 "x 16.14" (42.2 x 28.7 x 41 cm)
	Selling Unit Weight	14.55 lbs (6.6 kg)
	Master Carton Size (L x W x H)	16.61"x 11.30 "x 16.14" (42.2 x 28.7 x 41 cm)
	Master Carton Qty	1 pcs
	Master Carton Weight	14.55 lbs (6.6 kg)

CAUTIONS

Do not use rigid pipe on the inlet or outlet of the system. This may cause oscillation, and lead to noise and loosen or crack components.
Do not adjust the pressure inside the tank.

Similar Products