



Industry

- + Pool Cover Pump
- + SEAFLO Bottled Water System
- + Mini Diaphragm Water Pumps
- + Mini Submersible Pump
- + **24V 6.5LPM Submersible Solar Deep Well Pump**
- + 400GPH Beer Pump
- + 24V RO Booster Pumps
- + Washdown Pump Kit
- + Air Conditioner Pump
- + Submersible and Inline Pump
- + Fuel Pump
- + Copper head impeller pump
- + Macerator Pumps



### 24V 6.5LPM Submersible Solar Deep Well Pump

The SEAFLO submersible solar deep well pump is a positive displacement diaphragm type 24VDC pump of high efficiency. The pump offers a solution to your remote water pumping needs. It's rugged, durable and built to last. This pump delivers approximately 1.0 GPM (3.8 LPM) at 230 feet (70.1 meter) total lift. It incorporates a unique, water-blocked cable connector that is impervious to water leakage and condensation problems preventing water wicking. Typical applications are in livestock watering, irrigation, ponds, islands, remote homes and cabins.



Contact Us

Specifications | Parameters | Manual

Product Classification

Home | About Us | News Center | Technology and Service | Quality and R & D | Contact Us

+ Hand Pumps

+ Blowers

+ Portable Toilet

+ Electric Toilet

+ Switch

+ Fuel Cans

+ Accessories

Recommend Product

Common Problem

Water blocked cable connector is impervious to water leakage and condensation

Accepts a variety of jacketed cables from your power source

50 mesh stainless steel strainer

Corrosion-proof and stainless-steel housing

Designed to be used with solar panels or a 24v battery system

Fits 4in. dia. and larger wells

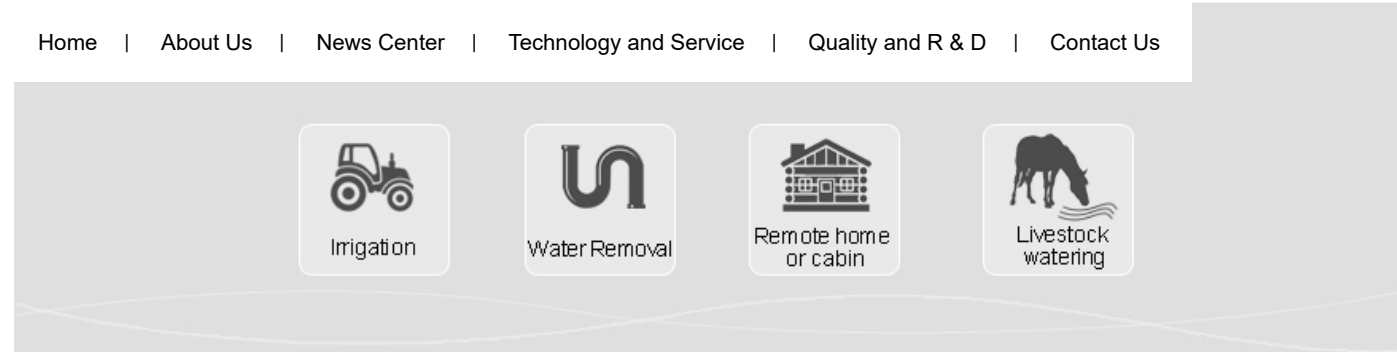
Max Diving depth up to 100 feet (30 m)  
Maximum lift up to 230 Feet (70 m)



MORE?FEATURES

- Runs dry without damage
- Internal bypass for pump protection
- Accepts a variety of jacketed cables
- Easy hook up to most any existing solar panels or wind generator systems

- Low maintenance design/field Repairable
- Santoprene diaphragm for reliability, longer life and better priming
- Thermal overload start on 239 °F(115° C), automatic restart
- CE and RoHS approved



### TYPICAL APPLICATIONS

Irrigation; Water Removal; Remote home or cabin; Livestock watering.

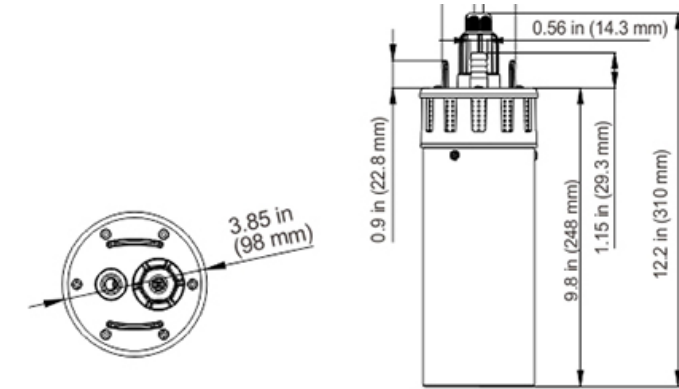


[Product Classification](#)[Home](#)[About Us](#)[News Center](#)[Technology and Service](#)[Quality and R & D](#)[Contact Us](#)

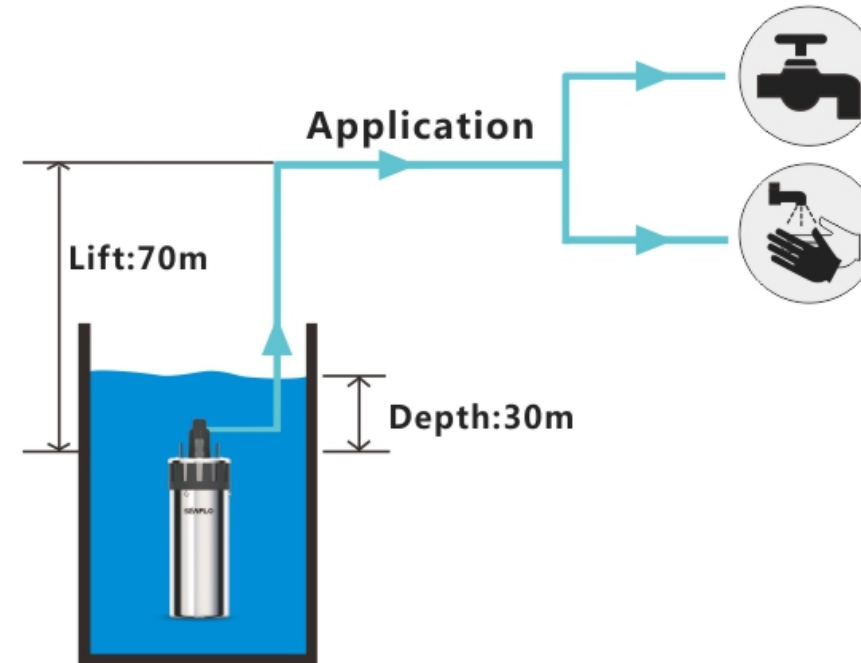
### STANDARD PUMP CONFIGURATIONS

Model	Voltage	Max Draw	Fuse	Max Diving depth	Max Lift	Inlet/outlet	Open flow
SFBP1-G103-01	12 V	3.0 A	4.0 A	100 feet(30m)	230 feet(70m)	50 mesh stainless steel filter /1/2* (12.7mm) barb	6.5LPM±5%
SFBP2-G103-01	24 V	6.0 A	8.0 A	100 feet(30m)	230 feet(70m)	50 mesh stainless steel filter /1/2* (12.7mm) barb	6.5LPM±5%

### DIMENSIONS



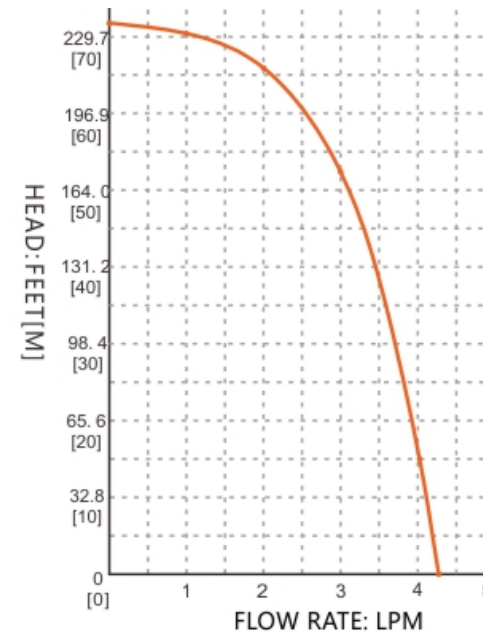
## APPLICATION



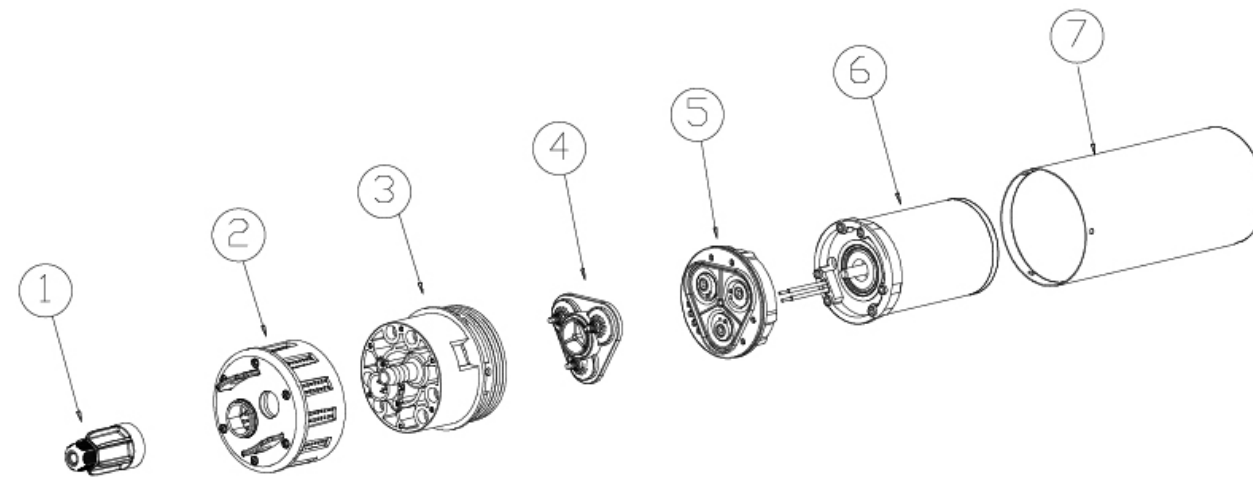
## PERFORMANCE

Product Classification

[Home](#) | [About Us](#) | [News Center](#) | [Technology and Service](#) | [Quality and R & D](#) | [Contact Us](#)



**DETAILED COMPOSITION**




Product Classification

Home | About Us | News Center | Technology and Service | Quality and R & D | Contact Us

		Quantity
1	Clip assembly	1
2	Lifting plate assembly	4
3	Pump head assembly	1
4	Valves assembly	1
5	Diaphragm&rotating assembly	1
6	Motor assembly	1
7	Stainless Sleeve	1

SHIPPING INFORMATION

	Unit Pump Weight	8.15 lbs (3.70 kg)
	Selling Unit Size (L x W x H)	12.72"x5.70 "x 5.31" (32.3*14.5*13.5cm)
	Selling Unit Weight	9.48 lbs (4.3kg)
	Master Carton Size (L x W x H)	13.42"x 12.60 "x 12.00" (34.1*32*30.5 cm)
	Master Carton Qty	4 pcs
	Master Carton Weight	41.89 lbs (19 kg)

Similar Products

